

POWER FOR THE WAVES
THE PURE MARINE CERTIFIED PRODUCT

200W
POWER HANDLING

HTX 8 M-CL-W

MARINE TOWER COAX CLAMP WHITE - **NEW**

HTX 8 M-CL-C

MARINE TOWER COAX CLAMP BLACK - **NEW**



TECHNICAL SPECIFICATIONS

Component	Two way coaxial	
Size		
Woofer	mm (in.)	200 (8)
Tweeter diaphragm	mm (in.)	36 (1.4)
Voice Coil Ø		
Woofer	mm (in.)	32 (1.26)
Tweeter	mm (in.)	20 (0.8)
Power Handling		
	W peak	200
	W continuous	100
Impedance	Ω	4
Frequency Response	Hz	45 ÷ 25k
Woofer Magnet size D x d x h	mm (in.)	90 x 40 x 20 (3.54 x 1.57 x 0.79)
Tweeter Magnet size D x h	mm (in.)	19,7 x 3 (0.78 x 0.12)
Weight of one speaker	kg (lb.)	5,4 (11.9)
Woofer Magnet	High density flux ferrite	
Tweeter Magnet	Neodymium	
Cone	Polypropylene with UV inhibitors	
Dome	PEI	
Xmech	mm (in.)	±8,5 (0.33)

ELECTRO-ACOUSTIC PARAMETERS

D	mm	174
Xmax	mm	4,5
Re	Ω	3,4
Fs	Hz	51
Le	mH	0,46
Vas	l	26,1
Mms	g	30
Cms	mm/N	0,33
BL	T•m	6,33
Qts		0,78
Qes		0,82
Qms		14,7
Spl	dB	91

1. Hertz **Pure Marine Certified Product** stamp featuring the IP65 protection grade, ASTM-D4329 standards for UV resistance and ASTM-B117 for salt fog operability.
2. Equipped with dedicated 8" coaxial speaker featuring a long-throw 32 mm (1.26") voice coil woofer with polypropylene cone injected with UV inhibitors and 1.4" Neodymium magnet tweeter.
3. RGB led lighting creates sophisticated atmosphere, adding tons of class to your vessel. Front RGB lighting is included built-in the front grille, while rear RGB lighting is an add-on with the specifically developed HTX RGB LOGO.1 accessory (available both in black and white color).
4. **Q-OS² (Quick Orientation & Release for Sound & Safety)** technology.
 - Durability thanks to the solid 316 Stainless Steel construction;
 - Tower can be quickly oriented within 18 steps (20° each) along horizontal axis for best sound projection and diffusion over the listening area;
 - Quick Mechanical/Electrical release for security/anti-theft and cleaning;
 - Multi-pole high current connection self-contained into the clamp structure;
 - Clamp structure includes rubber inserts for vibrations damping and fits both round roll-bar [38 mm, 76 mm (1-1/2" to 3")] and square roll-bar or roof mounting by detaching clamp basement upper part. Optional fitting accessories available for major OEM brands.
5. **"Adjustable logo"** allows for several tower positioning without affecting the correct Hertz logo orientation. Front and rear logo can be oriented within 64 steps.



HTX RGB W LOGO.1
OPTIONAL RGB LED LIGHTING REAR LOGO WHITE



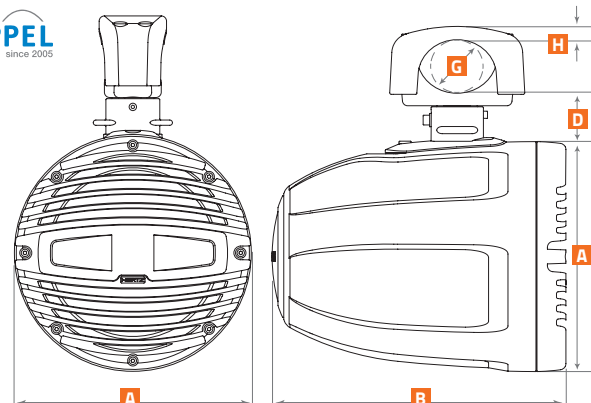
HTX RGB C LOGO.1
OPTIONAL RGB LED LIGHTING REAR LOGO BLACK



HM RGB 1 BK - Optional

The optional rear Hertz led logo creates the same sophisticated atmosphere of front led, adding tons of class to your vessel.

From R&D to final product
KLIPPEL
since 2005



A	225 mm	8.86 in.
B	288 mm	11.34 in.
D	50 mm	1.97 in.
G	38-76 mm	1.5-3 in.
H	12 mm	0.47 in.

