

HG-38SG (-NG)

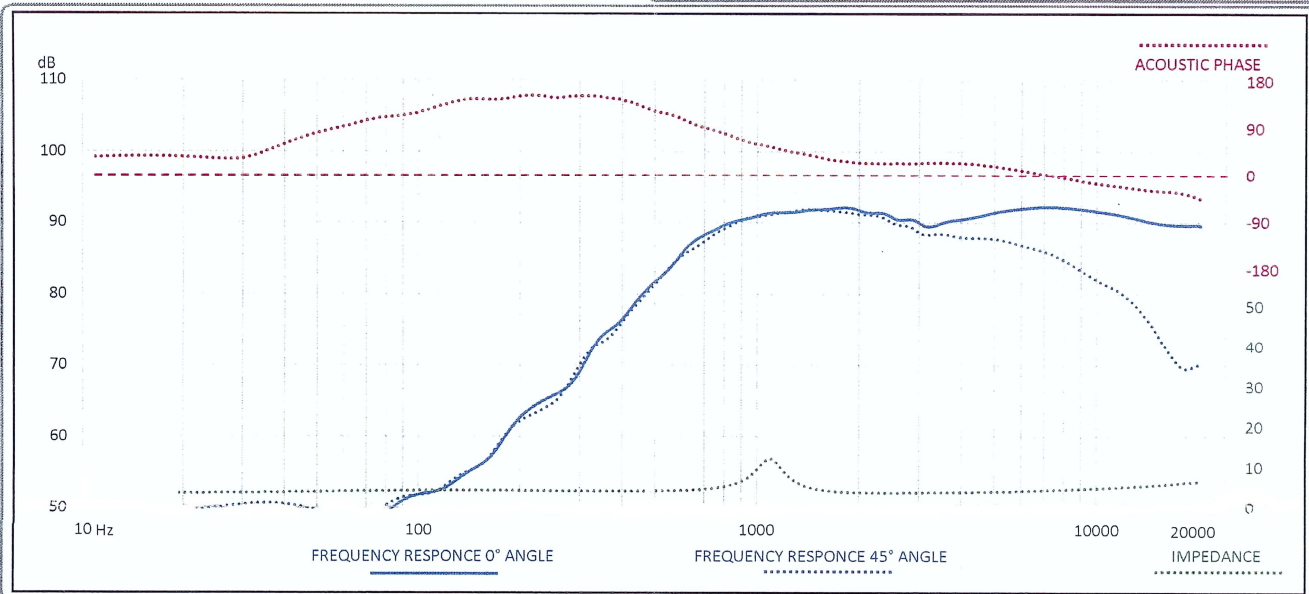
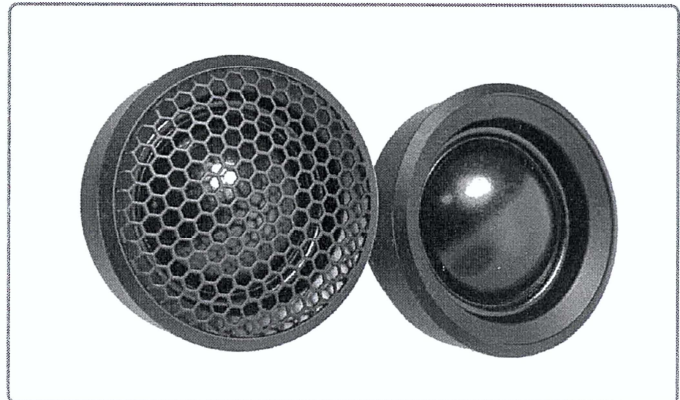
GLADEN[®]
GERMAN TECHNOLOGY

speaker data sheet

Specifications

Tweeter

Impedance	4,0	Ω
Power handling	60/30	Watt/Wrms
Minimum amplifier power	5	Wrms
Recommended frequency area	2000 -	Hz
SPL (2,83V/1m)	95,0	dB

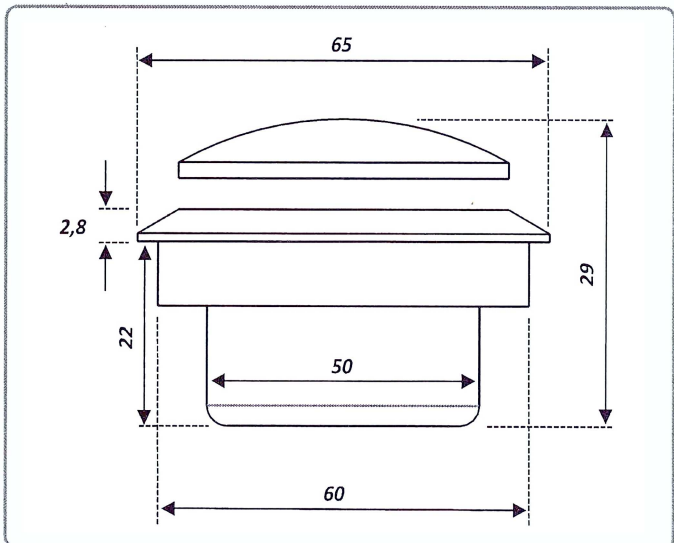


Parameters

DC resistance	R _{dc}	3,4	Ω
Resonance frequency	f _s	1093	Hz

Sensitivity (1W/1m)	SPL	91,3	dB
Voice coil diameter	VCD	38	mm
Weight net		0,222	kg

Dimensions



Volume (V) in liters, dimensions port (P) in mm (diameter (D) and length (L))

All data without guarantee. Data can vary. Check data before assembly and operation.

GLADEN EUROPE GmbH, Bartha-Benz-Strasse 9, 73141 Waldderfhäle, CEO Alexander Gladen, info@gladen.com