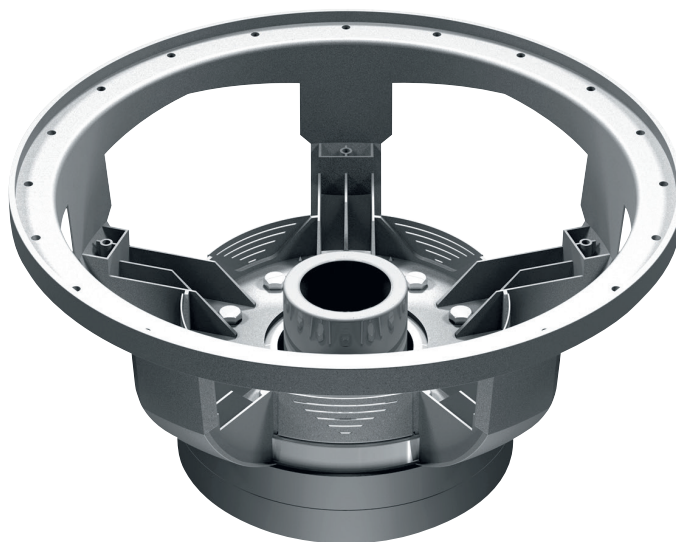


MM 15.1 UNLIMITED

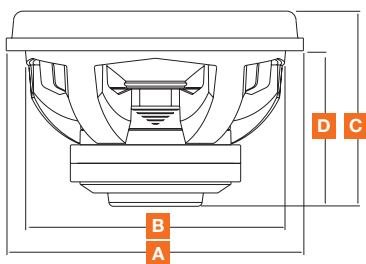
SUBWOOFER



TECHNICAL SPECIFICATIONS

Component	Subwoofer Motor Group	
Size	mm (in.)	380 (15)
Magnet size	mm	2 x 230 x 25
D-d-h	(in.)	(2 x 9.1 x 1)
Total driver displacement	l (cu.in.)	9,2 (561)
Magnet	Double magnet, High density flux ferrite	
Weight of one component*	kg (lb.)	22,9 (50.5)

*Gruppo motore incluso



A	399 mm (15.7 in.)
B	350 mm (13.8 in.)
C*	256 mm (10.1 in.)
D	209 mm (8.3 in.)

1. High magnetic permeability plates provide constant, even flux.
2. Large double magnet; for perfect control under high power, very high excursion conditions for top SPL performance.
3. Internally reinforced basket, protected from abrasions with high resistance paint.
4. Basket and motor are coupled and damped through special epoxy glue.