

# **MXA** **4-CHANNEL** **AMPLIFIERS** **OWNER'S MANUAL**

## INTRODUCTION

### CONGRATULATIONS...

on your purchase of a new 4-Channel MTX Audio amplifier! MTX is one of the inventors of mobile audio, having designed the first-ever in-vehicle enclosed subwoofer system in the early 80's. Our award-winning heritage speaks for itself, 14 Innovations Design and Engineering Awards, more than 80 AutoSound Grand Prix Product of the Year Awards, more than 500 World Records or 1st Place Finishes in Sound Competitions. Also, MTX is the first USA audio Company to be awarded ISO9001 quality assurance certification.. MTX manufacturing methods are world-class, with more than 1,000,000 square feet of dedicated manufacturing facilities, using State-of-the-Art Intelligent Surface Mount, Rotational Molding, Robotic Assembly and CNC manufacturing equipment. What all this means to you, the music and audio fan, is that you couldn't have chosen a more reliable, powerful, or better performing amplifier. The Audio Performance Dyno Certificate is your proof. Your amp will meet or exceed its rated spec, or it doesn't ship. No compromises, no excuses.

All power ratings are not created equal. CEA 2006 Compliance ensures that the power of this amplifier is measured according to strict standards dictated by the Consumer Electronics Association.

We want to ensure you get continuous high performance from your MTX amplifier, so we recommend that you have it professionally installed by your authorized MTX dealer.

If you are installing this amplifier yourself, we recommend that you read the manual cover-to-cover before you install it. Familiarize yourself with the features and details on the input and output panels. Make sure you have all the equipment you need. Then follow the step-by-step installation instructions included.

If you have any questions, call us at 800-CALL MTX, or use our live help at [www.mtx.com](http://www.mtx.com)

MTX Audio  
4545 E. Baseline Rd. Phoenix, AZ 85042  
602-438-4545 • [technical@mtx.com](mailto:technical@mtx.com)

Please take a moment to register your purchase online at [mtx.com](http://mtx.com). Please also record the serial number of your amplifier in the space provided below and keep this manual for future reference, as well as your sales receipt as proof of ownership. (The serial number of your amplifier is marked on the bottom of its metal chassis.)

Serial Number: \_\_\_\_\_

Date of Purchase: \_\_\_\_\_



## FEATURES

- Patented state-of-the-art power supply and output stage
- High mass extruded aluminum heatsink for maximum thermal management and bulletproof reliability
- Adjustable HP/LP Crossover - 40Hz-350Hz, 12dB/oct for maximum system design flexibility
- Stereo Gain Control for precision matching between your amplifier and radio
- Fully adjustable Bass Boost - 40Hz, 0-18dB to enhance the low frequency experience in your vehicle
- Remote subwoofer level control included allows you to fine tune the bass from the driver's position when you switch between different musical styles
- High Level Input with patented Smart Engage Auto Turn-on for easy installation with factory radios
- CEA 2006 Compliant. All power ratings are not created equal. CEA 2006 Compliance ensures that the power of this amplifier is measured according to strict standards dictated by the Consumer Electronics Association.

## SPECIFICATIONS

	MXA4004	MXA6004
RMS per channel @ 4Ω (≤ 1% THD+N)	50 Watts	75 Watts
RMS per channel @ 2Ω (≤ 1% THD+N)	100 Watts	150 Watts
RMS bridged channels @ 4Ω (≤ 1% THD+N)	200 Watts	300 Watts
Signal to Noise Ratio	80 dBA	80 dBA
Frequency Response	20Hz to 20kHz (-3dB)	20Hz to 20kHz (-3dB)
Maximum Input Signal	5V	5V
Maximum Sensitivity	100mV	100mV
THD+N (Distortion)	<0.25% (reference:1W output)	<0.25% (reference:1W output)

# INSTALLATION



*Disconnect the ground at the vehicle battery before proceeding.*

## 1. Connect the amplifier to the battery

For maximum amplifier performance, we suggest 4 gauge wire and a 1 Farad stiffening capacitor. A fuse or circuit breaker is required at maximum distance of 18" from the battery to protect the battery, the vehicle, and more importantly you. (see attached chart for proper fuse ratings) It is highly recommended that installation be carried out by an authorized MTX dealer or Circuit City.

MODEL #	FUSE	MODEL #	FUSE
MXA6004	75A	MX8001	90A
MXA4004	60A	MX6001	60A
MXA4002	50A	MX4001	40A
MXA3002	40A		

## 2. Connect the amplifier remote turn-on

Connect the remote input terminal of the amplifier to the remote output terminal of the source unit (only if using RCA inputs) to establish amplifier remote on/off through the power on/off of the source unit. If the source unit does not provide a remote output, connect to a switched 12-volt source, e.g. ignition switch.

## 3. Connect the amplifier ground to the vehicle chassis

For maximum amplifier performance we suggest 4 gauge wire. Find a solid piece of metal and scrape the paint away where the ground will be attached (NO FACTORY BOLTS). Connect the ground cable to the amplifier at this point.

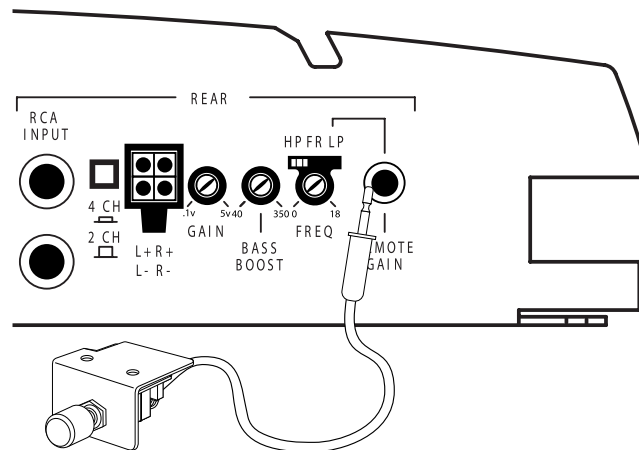
### - NOTE -

For optimum performance and sound reproduction, prepare and secure the ground properly. Remove any surface material before securing to your chassis, ensuring a metal-to-metal ground point.



#### 4. Remote Gain Control

Included is a remote gain control, which is a volume control that is active with the low pass filter engaged. This control should be mounted near the driver in an easily accessed location. This is not a gain knob, this is a level control. The level control will attenuate the amp or increase its output to the level of the gain setting. It is used to adjust bass output between music sources or tracks. (see picture below for connection location).



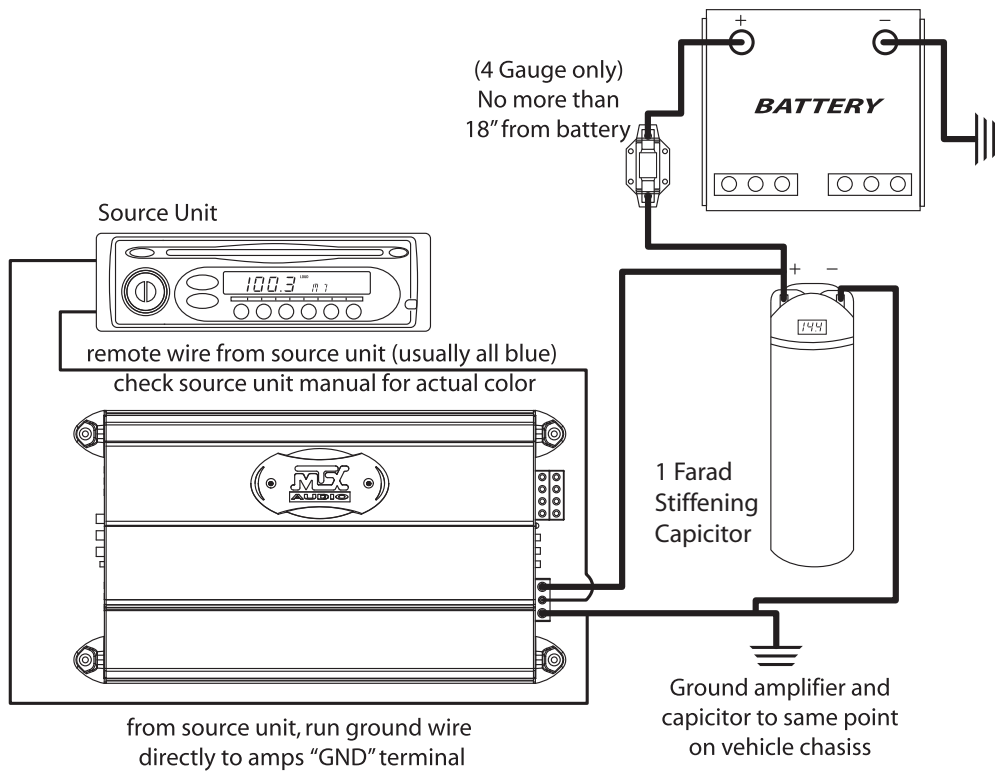
#### 5. Connecting signal cables to the amplifier

There are two ways to supply the signal to our amplifiers. To get maximum performance, we suggest connecting a high quality RCA to the corresponding outputs at the source unit and inputs of the amplifier. If a source unit is being used without RCA outputs, use the high-level inputs for signal which will turn the amplifier on via our Smart Engage circuitry (Four-channel amps will only engage on the front high-level inputs).

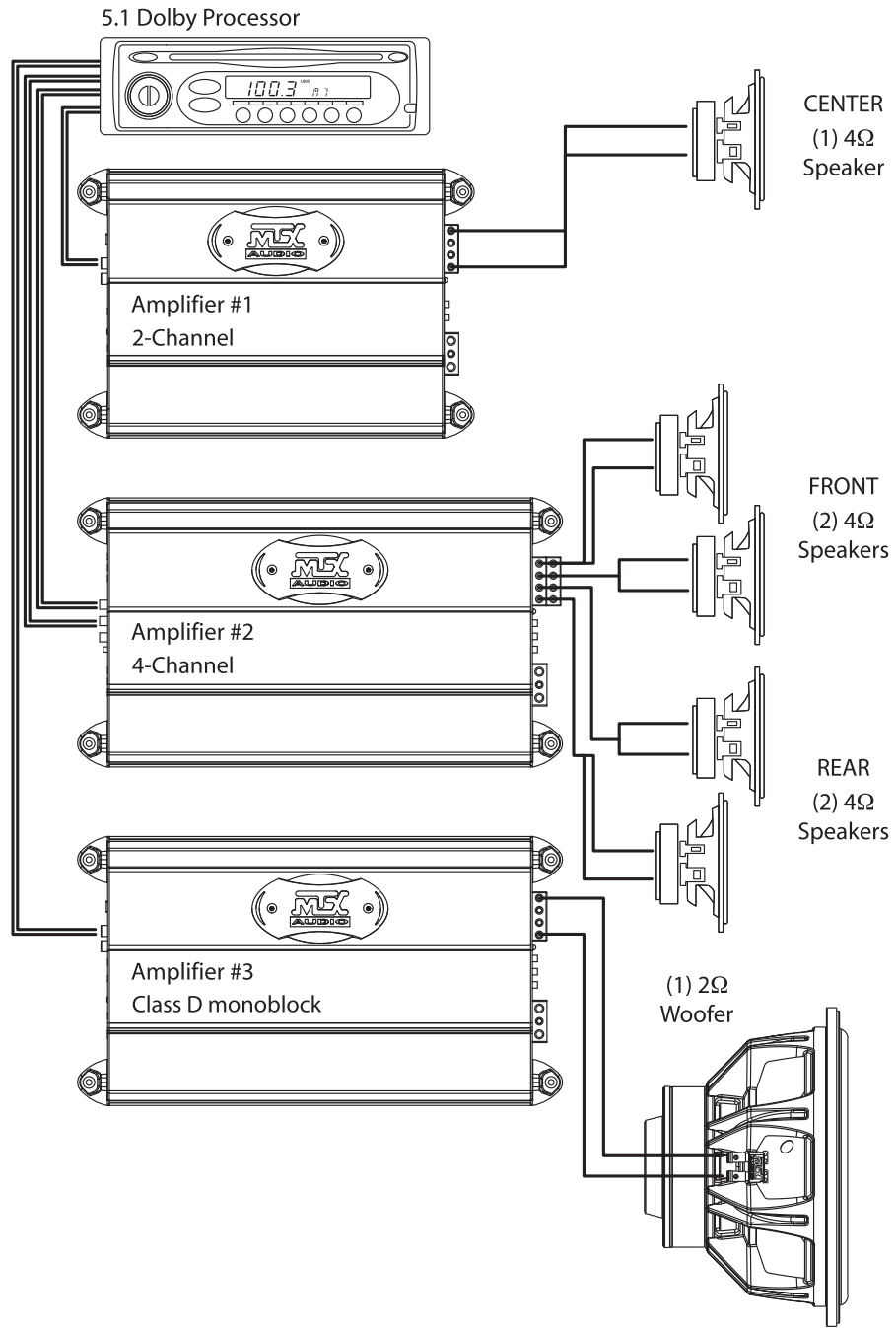
#### 6. Reconnect the battery ground to the vehicle battery

Double check all the previous installation steps. Make certain the wiring and component connections are securely attached to the amp +BATT, remote and ground. If everything is in order, complete the installation by reconnecting the battery ground to the vehicle battery.

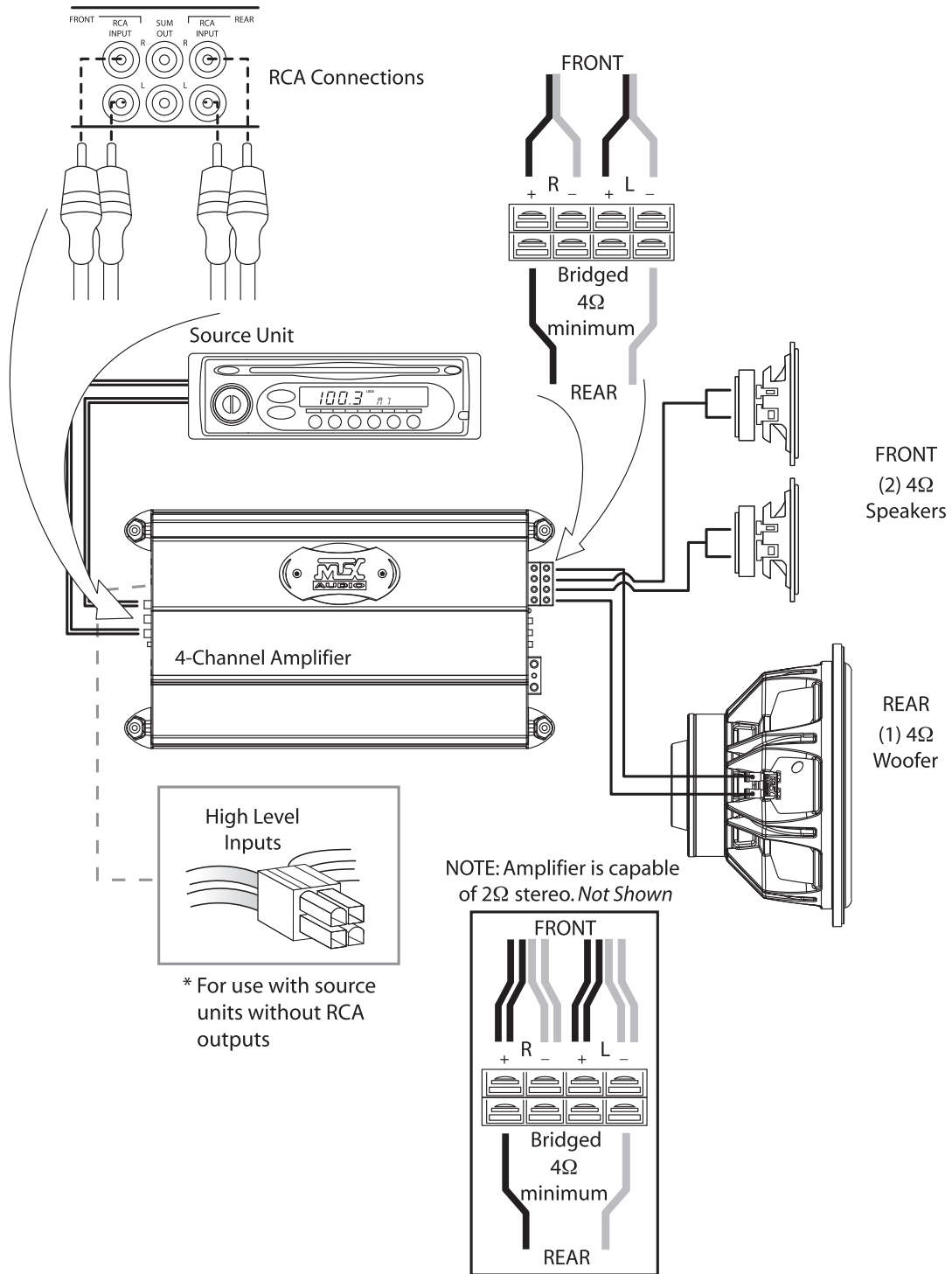
# WIRING DIAGRAM (CHARGING SYSTEM)



# WIRING DIAGRAM (5.1 SURROUND SOUND EXAMPLE)

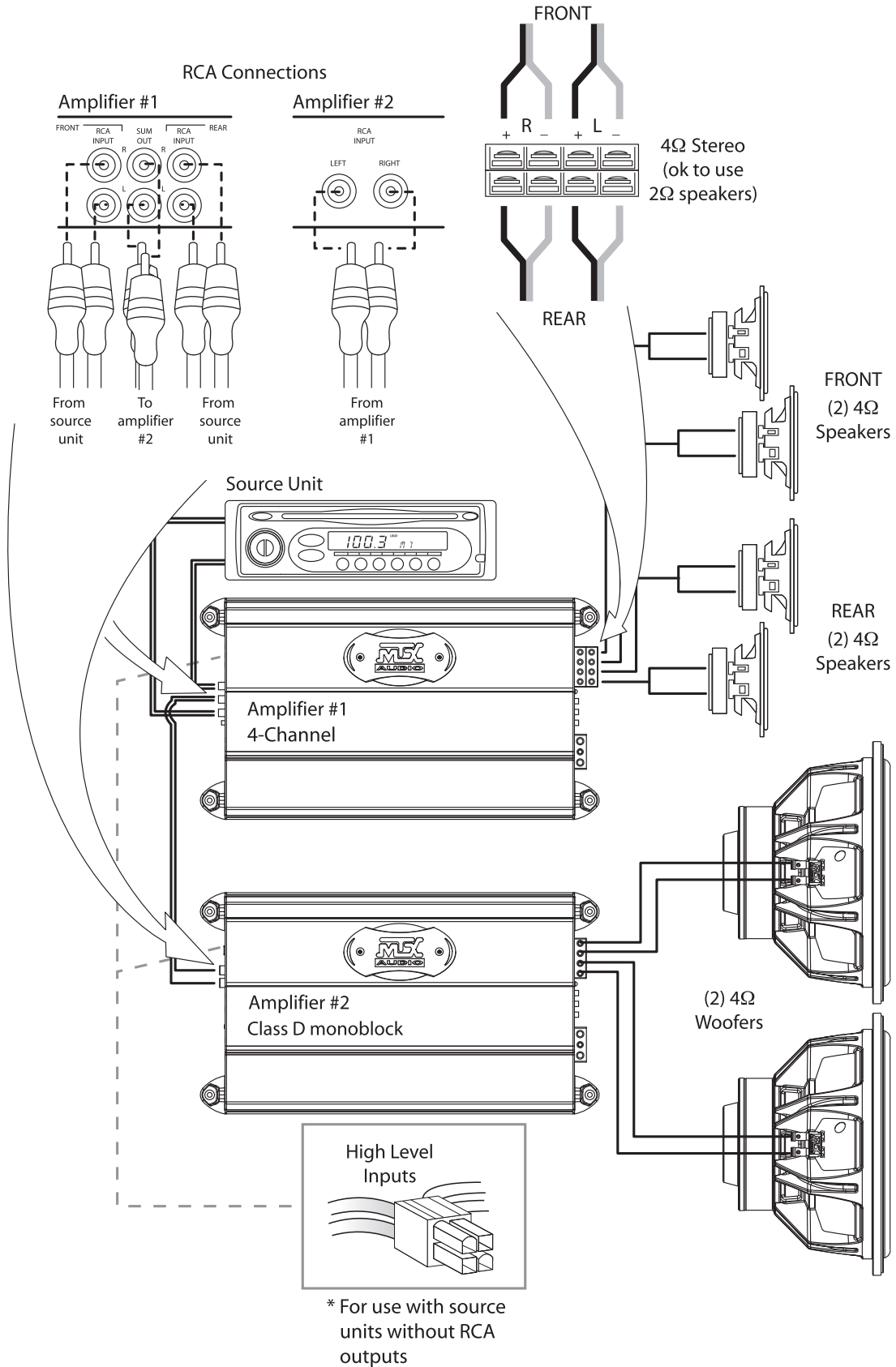


# WIRING DIAGRAM (SINGLE 4-CHANNEL AMPLIFIER SYSTEM)

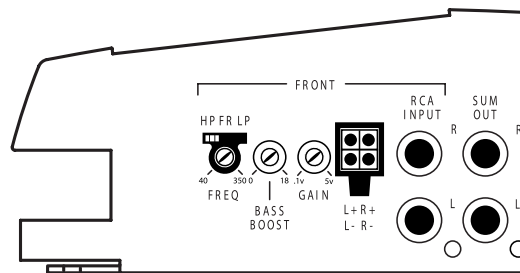




# WIRING DIAGRAM (MULTI AMPLIFIER SYSTEM)



## SYSTEM TUNING (INPUT GAIN ADJUSTMENT)



Located on the Input Panel, the objective of input GAIN adjustment is to match the output of the source unit with the input of the amplifier. The output voltage of individual source units can vary. Some source units have an output of 200 mV and others have 5 Volts or more. To cater to these variations, the amplifier has an adjustable gain level that ranges from 100 mV to 5 volts. Adjusting this control requires some experimenting to ensure all of the gain at the beginning of the system, NOT at the end (amplifier). Turn your source unit up and keep your amplifier gains at the minimum lowest possible setting (counter-clockwise) with maximum output. This will give you the best sound and signal-to-noise ratio.

Besides better sonic reproduction, proper input gain also helps to prolong the reliability span of your amplifier by eliminating excessive internal temperature generated by incompatible source unit output and amplifier input.

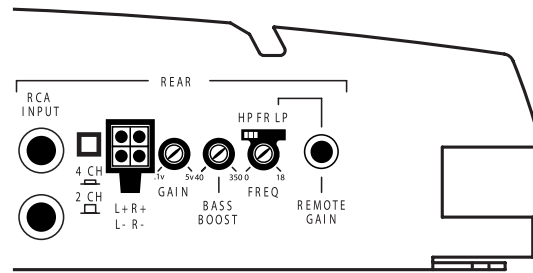
Note : Turning the input gain up does not indicate more power. Just more noise. The input gain control is not a power control.

If the Remote Gain is used, connect the plug of the Remote Gain to the port on the panel of the amplifier.

1. Turn the input GAIN all the way down (counter clockwise).
2. Set the volume control of the source unit to approximately 3/4 of its maximum output.
3. Turn the balance control of the source unit to its center position (flat).
4. Leave the tone (bass/treble) controls at their usual position.
5. Play a CD or tape track with great dynamic range.
6. Use the Bass Boost Control on the amp to enhance the bass performance (if desired), not the bass on the headunit. Use this control sparingly.
7. To locate the optimum gain setting, ask the person assisting you to turn the input GAIN control clockwise until audio distortion starts to develop. Turn the gain control back wards slightly to minimize the distortion.
8. If you constantly switch between CD/tape and radio, you will need further adjustment since radio output level differs from that of CD or tape. In this case, you need to locate a balanced Gain setting which is best for both the output level of radio and that of CD or tape



## SYSTEM TUNING (CROSSOVER ADJUSTMENT)



Note: If you are using the Remote Gain, make sure to take this into account during set-up procedures of the subwoofer amplifier. You should set the system up with the Remote Gain plugged in and with the level knob turned all the way down (counter-clockwise). The Remote Gain only works when you've selected the LPF (low-pass) crossover configuration. On four-channel amplifiers, the Remote Gain only affects the rear channels.

### CROSSOVER SELECTION

The amplifier has built-in high-pass/low-pass filters that can be bypassed by sliding the switch to the (FR) position. The crossover micro switch can be found directly above the FREQ adjustment.

1. When the high-pass is selected (HP), the amplifier will be devoted to mid/tweeters.
2. When the low-pass is selected (LP), the amplifier will be used to drive woofers/sub woofers. With this setting, the Remote Gain can directly control the amplifier playback level.
3. When the full range is selected (FR), the amplifier is used as a full range amplifier.

### CROSSOVER FREQUENCY SELECTION (FREQ)

Both the high-pass and the low-pass section offer continuously adjustable crossover frequencies between 40 and 350 Hz. Adjust the setting according to your speaker component specification or to your particular preference.

### BASS BOOST CONTROL (BASS BOOST)

Select a boost level between 0dB and +18dB @ 40Hz to enhance the bass performance for your sound system. BASS BOOST is NOT free! Every 3dB of boost costs you twice as much in power. Make sure to set the final gains after setting the Bass Boost to work best with your subwoofer/enclosure combination. More is not always better!

## TROUBLE SHOOTING

**1. No power:** Verify that the Ground, +BATT and remote are securely attached to the amp, the connection at the + terminal of the battery is secure, the remote turn-on is securely fastened to the source unit and that the in-line fuse at the battery is good as well as the fuse on the amp. If fuses are blown, replace them and attempt to power the amp back on. If fuses continue to blow, please see an authorized dealer. To confirm that the amp is getting power at the +BATT and remote, use a digital multi-meter set to DC voltage, attach the negative terminal of the meter to the ground and the positive to the +BATT and then check the remote. The remote and the +BATT should have 11-15volts. If the amp has ground, +BATT and remote voltage and will not power on, please visit an authorized dealer or call the technical support number listed below for further assistance.

**2. Power light on, no output:** Turn the audio system off (source unit and amplifier), check output signal connections from the source unit and input signal connections at the amp. Remove speaker wires and test for opens or shorts of speakers with a digital multi-meter set to the impedance setting. Reconnect the speaker wires and test the system. If there is still no output, visit an authorized dealer or call the technical support number listed below for further assistance.

**3. Amp turns on and shuts off:** Turn the audio system off (source unit and amplifier). Remove the speaker wires and test for opens or shorts of speakers with a digital multi-meter set to the impedance setting. Gently push on the speaker with your ear close to it. If it sounds scratchy then replace the speaker or consult a local dealer. Carefully touch the amp for temperature. If it is extremely hot then the amp is in thermal protection and needs to cool down. If thermal protection continues to be a problem, see an authorized dealer or call the technical support number below.

**4. No sound from one side:** Check the speaker connections, input connections, balance control on the source unit, and then check the speakers for shorts with the digital multi-meter.

**5. Low sound from both radio and CD:** Check the radio's fader control and the amplifier's input sensitivity.

**6. Amplifier shuts down after long play times:** If the light is turned off, then the amp is probably in thermal protection due to poor ventilation (see amplifier installation instructions for causes of high operating temperature). If the amp has good ventilation then check the speaker impedance to verify that it is above the suggested load rating. With it running, verify that you have more than 11volts at the +BATT portion of the amp and that you have 4 gauge power cable and the proper fuse rating at the fuse holder near the vehicle battery.



**7. Amplifier shutting off and LED flashing off and on:** This is an indication of low or high voltage at the +BATT or the remote portion of the amp. Test the +BATT and the remote portion of the amp with a digital multi-meter. If the voltage at either of these terminals is above 15volts or below 11volts, consult an automotive electrical specialist. If voltage is consistently below 11volts, adding a one-farad stiffening capacitor will solve the problem.

**8. Whining noise that increases with acceleration:** This is what is known as a ground loop. To verify if the noise is being generated by a bad ground or the RCA cables, remove the RCA cables from the amp (make sure they are shielded from touching the chassis) and turn the system back on. If the noise persists, then the problem is ground related. If the noise stops, then it is being radiated into the amp via the RCA cables. If the noise is being radiated by the RCA cables, simply re-route the cables away from power cables—specifically the +BATT cable that is connected to the battery. If whining noise is ground related then confirm that all ground cables are secure in the vehicle and free of corrosion. Please see power and ground portion of this manual for correct system grounding instructions.

**MTX TECHNICAL SUPPORT 1.800.225.5689**

## LIMITED WARRANTY

MTX amplifiers purchased in the USA from an authorized MTX dealer are guaranteed against defects in material and workmanship for the period of 1 year from the date purchased by the end user if the product is installed by an authorized MTX dealer, and 90 days if installed by the consumer. Product found to be defective during that period will be repaired or replaced by MTX at no charge. This warranty is void if it is determined that unauthorized parties have attempted repairs or alterations of any nature. Warranty does not extend to cosmetics or finish. Before presuming a defect is present in the product, be certain that all related equipment and wiring is functioning properly. MTX disclaims any liability for other incurred damages resulting from product defects. Any expenses in the removal and reinstallation of products are not covered by this warranty. MTX's total liability will not exceed the purchase price of the product. If a defect is present, your authorized MTX dealer may be able to effect repairs.

- 1 Year Warranty against defects in materials and workmanship (90 day Mitek Proof of Performance Pledge applies)

Proof of purchase is required when requesting service, so please retain your sales receipt, and take a moment to register your warranty on line @ [www.mtx.com](http://www.mtx.com).

## CARACTERÍSTICAS

- Fuente de alimentación y etapa de salida patentada con tecnología de punta
- Disipador térmico de aluminio extruído de alta masa para dar máximo control térmico y confiabilidad a prueba de fallas.
- Crossover de pasabajas (Low-Pass, LP) y pasaaltas (High-Pass, HP) ajustable. De 40 Hz a 350 Hz y 12 dB/oct para dar máxima flexibilidad de diseño al sistema.
- Control de amplificación estereofónica para producir una correspondencia de precisión entre el amplificador y la radio.
- Refuerzo de bajos totalmente ajustable. 40 Hz de 0 a +18 dB para mejorar las frecuencias bajas en el vehículo.
- Control remoto de subwoofer que permite un ajuste preciso del bajo desde la posición del conductor cuando cambia de estilo de música.
- Entrada de alto nivel con encendido automático Smart Engage patentado para facilitar la instalación con radios de fábrica.
- Cumple con la norma CEA2006. No todos los valores nominales de potencia son iguales. La norma CEA2006 garantiza que la potencia de este amplificador se mide de acuerdo a normas estrictas dictadas por la Asociación de Aparatos Electrónicos para el Consumidor (Consumer Electronics Association).

## INSTALACIÓN



Desconecte el cable de conexión a tierra de la batería del automóvil antes de proceder.

### 1. Conecte el amplificador a la batería

Para obtener el máximo rendimiento del amplificador, sugerimos cable calibre 4 y un capacitor de refuerzo de 1 faradio. Se requiere un interruptor automático o un fusible a una distancia máxima de 18 pulgadas de la batería para proteger la batería, el vehículo y, lo más importante, para protegerlo a usted (consulte el cuadro que aparece abajo para ver los valores nominales de los fusibles). Se recomienda enfáticamente que un distribuidor autorizado se haga cargo de la instalación.

### 2. Conecte el encendido a control remoto al amplificador

Conecte la terminal de entrada de control remoto del amplificador a la terminal de salida de control remoto de la fuente de audio (sólo si está usando entradas

RCA) para establecer el encendido a control remoto del amplificador a través del interruptor de encendido de la fuente de audio. Si la fuente de audio no tiene salida de control remoto, conecte a una fuente de potencia conmutada de 12 voltios; por ejemplo, el encendido del automóvil.

### **3. Conecte la conexión a tierra del amplificador al chasis del vehículo**

Para obtener el máximo rendimiento del amplificador, sugerimos cable calibre 4. Localice una pieza de metal sólida y raspe la pintura en el punto en el cual va a fijar la conexión a tierra (NO FIJE LA CONEXIÓN EN PERNOS DE FÁBRICA). Conecte el cable de conexión a tierra al amplificador en este punto.

#### **- NOTA -**

Para lograr una reproducción de sonido y rendimiento óptimos, prepare y fije correctamente la conexión a tierra. Quite todo material de la superficie antes de fijar la conexión al chasis, asegurando que haya un punto de conexión a tierra de metal a metal.

### **4. Control remoto de amplificación**

Se incluye un control remoto de amplificación, que es un control de volumen que se activa cuando se activa el filtro de pasabajas. Este control se debe montar cerca del conductor en un lugar de fácil acceso. Esta no es una perilla de amplificación, es un control de nivel que atenúa el amplificador o aumenta su salida hasta el nivel de amplificación establecido. Permite ajustar la salida de bajos entre las fuentes o pistas de música (vea el dibujo que aparece abajo para localizar la conexión).

### **5. Conexión de los cables de señal al amplificador**

Hay dos maneras de suministrar la señal a los amplificadores. Para obtener el rendimiento máximo, sugerimos conectar cables RCA de alta calidad entre las salidas de la fuente de audio y las entradas correspondientes del amplificador. Si la fuente de audio se está usando sin salidas RCA, use las entradas de señal de alto nivel. Esto enciende el amplificador por medio de nuestro circuito Intelli-Sense™. (Los amplificadores de 4 canales solamente se activan en las entradas de alto nivel frontales).

### **6. Conexión del cable de conexión a tierra de la batería a la batería del vehículo**

Revise dos veces todos los pasos de la instalación previa. Asegúrese de que el cableado y las conexiones de los componentes estén firmemente asegurados a las terminales de batería (+BATT), de control remoto y de conexión a tierra del amplificador. Si todo está en orden, complete la instalación conectando el cable de conexión a tierra de la batería a la batería de vehículo.

## SINTONIZACIÓN DEL SISTEMA (AJUSTE DE AMPLIFICACIÓN DE ENTRADA)

El ajuste de amplificación de entrada (GAIN) se encuentra en el panel de entrada y su objetivo es hacer corresponder la salida de la fuente de audio con la entrada del amplificador. El voltaje de salida de las fuentes de audio puede variar. Algunas fuentes de audio tienen salidas de 200 milivoltios y otras tienen 5 voltios o más. Para adaptarse a estas variaciones, el amplificador tiene un nivel de amplificación ajustable que va de 100 milivoltios a 5 voltios. El ajuste de este control requiere una cierta medida de experimentación para asegurar que toda la amplificación se hace al principio del sistema, y NO al final (amplificador). Suba el volumen de la fuente de audio y mantenga la amplificación al mínimo posible con una salida máxima (gire la perilla contra las manecillas de reloj). Esto produce el mejor sonido y la mejor relación de señal a ruido.

Además de mejorar la reproducción de sonido, la amplificación de entrada correcta también contribuye a prolongar el intervalo de confiabilidad del amplificador al eliminar las temperaturas internas excesivas generadas por una salida de fuente de audio incompatible con la entrada del amplificador.

Nota. Subir la amplificación de entrada no implica más potencia, simplemente más ruido. El control de amplificación de entrada no es un control de potencia.

Si se usa el control remoto de amplificación, conecte el enchufe de amplificación a control remoto al puerto del panel del amplificador.

1. Baje al mínimo la amplificación de entrada (GAIN) (contra las manecillas del reloj).
2. Fije el control de volumen de la fuente de audio aproximadamente a  $\frac{1}{2}$  de su salida máxima.
3. Fije el control de balance de la fuente de audio en su posición central (de plano).
4. Deje los controles de tono (bajos y agudos) en sus posiciones normales.
5. Toque un CD o una cinta con alta gama dinámica.
6. Utilice el control de refuerzo de bajos del amplificador para mejorar el rendimiento de bajos (si así lo desea), no el bajo de la fuente de audio. Utilice este control con moderación.
7. Para ubicar el punto de amplificación óptimo, pídale a la persona que lo está ayudando que gire el control de amplificación de entrada (GAIN) en el sentido de las manecillas de reloj hasta que comience a producirse distorsión de audio. Gire el control de amplificación ligeramente en el otro sentido para minimizar la distorsión.
8. Si usted pasa constantemente de CD y cintas a la radio, va a ser necesario que haga más ajustes, porque el nivel de salida de la radio es diferente del nivel de salida del CD o de la cinta. En tal caso, debe localizar una configuración de amplificación equilibrada que sea ideal tanto para el nivel de salida de la radio como para el del CD y la cinta.





## SINTONIZACIÓN DEL SISTEMA

Nota. Si está usando el control remoto de amplificación, asegúrese de tomar esto en cuenta durante los procedimientos de configuración del amplificador del subwoofer. Usted debe configurar el sistema con el control remoto de amplificación enchufado y con la perilla de nivel al mínimo (contra las manecillas de reloj). El control remoto de amplificación sólo funciona cuando se selecciona la configuración de crossover LPF (pasabajas). En los amplificadores de 4 canales, el control remoto de amplificación afecta solamente los canales traseros.

### Sección de crossover

El amplificador tiene filtros incorporados de pasaaltas y pasabajas que se pueden pasar por alto deslizando el selector a la posición de gama completa (Full Range, FR). El microselector de crossover está directamente encima del ajuste FREQ.

1. Cuando se selecciona el filtro de pasaaltas (High Pass, HP), el amplificador queda dedicado a los altavoces de frecuencias medias y a los tweeters.
2. Cuando se selecciona el filtro de pasabajas (Low Pass, LP) el amplificador se utiliza para activar los woofers y subwoofers. Con esta configuración, el control remoto de amplificación puede controlar directamente el nivel de reproducción del amplificador.
3. Cuando se selecciona el intervalo completo de frecuencias (FR), el amplificador se usa como amplificador de gama completa de frecuencias.

### Selección de la frecuencia de crossover (FREQ)

Tanto la sección de pasaaltas como la de pasabajas ofrecen frecuencias de crossover continuamente ajustables entre 40 y 350 Hz. Ajuste la configuración de acuerdo a las especificaciones de los componentes de altavoces o a su preferencia particular.

### Control de refuerzo de bajos (BASS BOOST)

Seleccione un nivel de refuerzo entre 0 dB y +18 dB a 40 Hz para mejorar el rendimiento de bajos del sistema de sonido. El refuerzo de bajos NO es gratis. Cada 3 dB de refuerzo cuesta el doble en potencia. Asegúrese de fijar la amplificación final después de fijar el refuerzo de bajos que mejor funciona con su combinación de subwoofer y caja. Más NO siempre implica mejor.

## RESOLUCION DE PROBLEMAS

**1. No hay alimentación.** Asegúrese de que los cables de conexión a tierra (Ground), al positivo de la batería (+BATT) y al control remoto (Remote) estén firmemente conectados al amplificador, que la conexión al positivo de la batería sea firme, que la conexión de encendido por control remoto esté firmemente unida a la fuente de audio y que el fusible en línea de la batería y el fusible del amplificador estén en buenas condiciones. Si los fusibles están quemados, cámbielos e intente encender el amplificador otra vez. Si los fusibles continúan quemándose, llame a un distribuidor autorizado. Para confirmar que está llegando electricidad al amplificador por la terminal de batería (+BATT) y la terminal de control remoto, use un multímetro digital configurado para medir voltaje de corriente continua. Coloque el cable negativo del medidor en la conexión de tierra y el positivo en la conexión del positivo de la batería (+BATT). Luego revise la conexión de control remoto. La conexión de control remoto y la conexión de la batería (+BATT) deben tener de 11 a 15 voltios. Si el amplificador tiene voltaje en la conexión a tierra, la conexión al positivo de la batería y la conexión de control remoto y aún así no se enciende, visite al distribuidor autorizado o llame al número de apoyo técnico que aparece abajo para obtener más asistencia.

**2. Luz de alimentación encendida; no hay salida.** Apague el sistema de audio (fuente de audio y amplificador), revise las conexiones de la señal de salida de la fuente de audio y las conexiones de señal de entrada al amplificador. Quite los cables de altavoz y use un multímetro digital configurado para medir impedancias para ver si los altavoces tienen cortocircuitos o circuitos abiertos. Vuelva a conectar los cables del altavoz y pruebe el sistema. Si aún así no hay salida, visite a un distribuidor autorizado o llame al número de apoyo técnico que aparece abajo para obtener más asistencia.

**3. El amplificador se enciende y se apaga.** Apague el sistema de audio (fuente de audio y amplificador). Quite los cables del altavoz y con un multímetro digital configurado para medir impedancias determine si los altavoces tienen cortocircuitos o circuitos abiertos. Presione ligeramente el altavoz con el oído cerca. Si cruje, cambie el altavoz o consulte al distribuidor local. Toque cuidadosamente el amplificador para ver qué temperatura tiene. Si está extremadamente caliente, el amplificador está en protección térmica y debe enfriarse. Si la protección térmica sigue siendo un problema, vea a un distribuidor autorizado o llame al número de apoyo técnico que aparece abajo.



**4. No hay sonido en uno de los dos lados.** Revise las conexiones de altavoz, las conexiones de entrada, el control de balance de la fuente de audio y luego vea con el multímetro digital si hay cortocircuitos en los altavoces.

#### **5. Sonido bajo de la radio y el CD**

Vea el control de atenuación de la radio y la sensibilidad de entrada del amplificador.

**6. El amplificador se apaga después de mucho tiempo de funcionamiento.** Si la luz se apaga, el amplificador probablemente está en protección térmica debido a mala ventilación. Si el amplificador tiene buena ventilación, revise la impedancia del altavoz para comprobar que esté por encima de la carga nominal sugerida. Mientras funcione, verifique que haya más de 11 voltios en la porción del positivo de la batería (+BATT) del amplificador y que tiene cable de alimentación calibre 4 y un fusible con el valor nominal correcto en el portafusibles cerca de la batería del vehículo.

#### **7. El amplificador se apaga y el indicador luminoso se enciende y se apaga.**

Esto indica alto o bajo voltaje en la porción del positivo de la batería o del control remoto del amplificador. Pruebe el positivo de la batería (+BATT) y la porción de control remoto del amplificador con un multímetro digital. Si el voltaje en cualquiera de estas terminales es más de 15 voltios o menos de 11 voltios, consulte a un especialista en sistemas eléctricos de automóvil. Si el voltaje aparece continuamente por debajo de 11 voltios, agregue un capacitor de refuerzo de 1 faradio para resolver este problema.

**8. Silbido que aumenta con la aceleración.** Esto se conoce como bucle de conexión a tierra. Para ver si el ruido es generado por una mala conexión a tierra o por los cables RCA, quite los cables RCA del amplificador (asegúrese de que estén protegidos para que no entren en contacto con el chasis) y encienda el sistema otra vez. Si el sonido continúa, se trata de un problema de conexión a tierra. Si no se produce más, el sonido está siendo radiado hacia el amplificador a través de los cables RCA. Si el ruido es radiado por los cables RCA, encamínelos por otra parte lejos de los cables de alimentación, específicamente el cable del positivo de la batería (+BATT). Si el silbido está relacionado con la conexión a tierra, confirme que todos los cables de conexión a tierra estén firmemente ajustados en el vehículo y que no estén oxidados. Vea la porción de alimentación y conexión a tierra de este manual para obtener instrucciones correctas de conexión a tierra del sistema.

## CARACTÉRISTIQUES

- Alimentation électrique et étage de sortie brevetés les plus sophistiqués
- Dissipateur thermique en aluminium extrudé massif pour une gestion thermique maximale et une fiabilité à toute épreuve
- Filtre passif HP/LP réglable – 40 Hz-350 Hz, 12 dB/oct pour une flexibilité maximale de la conception du système
- Contrôle du gain stéréo pour une correspondance de précision entre votre amplificateur et votre radio
- Bass Boost entièrement réglable – 40 Hz, 0-18 dB pour une mise au point précise des basses fréquences dans votre véhicule.
- Télécommande du niveau du subwoofer pour vous permettre de régler les basses tout en conduisant lorsque vous passez d'un style de musique à un autre
- Entrée de niveau élevé avec mise en marche automatique Smart Engage brevetée pour un branchement facile sur les radios installées en usine
- Conforme à la norme CEA 2006. Toutes les classifications de puissance ne sont pas identiques. La certification à la norme CEA 2006 vous assure que la puissance de cet amplificateur est mesurée conformément aux normes strictes dictées par la Consumer Electronics Association.

## INSTALLATION



Débranchez la mise à la terre au niveau de la batterie du véhicule avant de procéder à l'installation.

### 1. Branchez l'amplificateur sur la batterie

Pour une performance maximale de l'amplificateur, nous vous suggérons d'utiliser un fil de calibre 4 et un condensateur raidisseur de 1 Farad. Un fusible ou un coupe-circuit sont nécessaires à une distance maximale de 45 cm (18 po.) de la batterie pour protéger la batterie, le véhicule et, plus important encore, pour vous protéger (voir le tableau ci-dessous pour la classification appropriée des fusibles). Il est vivement recommandé que l'installation soit effectuée par un revendeur agréé.

## **2. Branchez la mise en marche à distance de l'amplificateur**

Branchez la borne d'entrée à distance de l'amplificateur sur la borne de sortie à distance de l'unité source (seulement si vous utilisez des entrées RCA) afin d'établir la mise en marche / arrêt à distance par le biais de la mise en marche / arrêt de l'unité source. Si l'unité source n'est pas équipée d'une sortie à distance, branchez le matériel sur une source commutée de 12 volts, par ex. un commutateur d'allumage.

## **3. Connectez la mise à la terre de l'amplificateur au châssis du véhicule**

Pour une meilleure performance de l'amplificateur, nous vous suggérons d'utiliser un fil de calibre 4. Repérez une pièce en métal et grattez la peinture à l'endroit où le fil sera attaché (PAS DE BOULONS D'USINE). Connectez le câble de mise à la terre de l'amplificateur à ce point sur le châssis.

### **- REMARQUE -**

Pour une performance et une reproduction acoustique optimales, préparez et attachez correctement le câble de mise à la terre. Éliminez tout matériau de surface avant d'attacher le câble sur le châssis afin d'assurer un point de mise à la terre métal sur métal.

## **4. Régulation de gain à distance**

Une régulation de gain à distance est incluse. Il s'agit d'un réglage du volume qui est actif lorsque le filtre passe-bas (LPF) est activé. Ce bouton de réglage doit être monté près du conducteur, dans un endroit facilement accessible. Il ne s'agit pas d'un bouton de gain, mais d'un bouton de réglage de niveau. Le réglage de niveau permettra d'atténuer l'amplificateur ou d'accroître la sortie au niveau du réglage de gain. Ce bouton est utilisé pour régler la sortie des basses entre différentes sources ou segments musicaux (voir la figure ci-dessous pour l'emplacement de la connexion).

## **5. Branchez les câbles de signaux sur l'amplificateur**

Il existe deux moyens d'amener le signal à nos amplificateurs. Pour obtenir la meilleure performance possible, nous vous suggérons de brancher un RCA de grande qualité aux sorties de l'unité source et aux entrées correspondantes de l'amplificateur. Si vous utilisez une unité source qui n'est pas équipée de sorties RCA, utilisez les entrées de haut niveau pour le signal qui mettront l'amplificateur en marche par le biais de notre circuit Inteli-Sense™ (les amplificateurs à 4 voies ne s'enclencheront que sur les entrées frontales de haut niveau).

## **6. Branchez de nouveau la mise à la terre de la batterie sur la batterie du véhicule**

Vérifiez une nouvelle fois toutes les étapes précédentes de l'installation. Assurez-vous que les branchements des fils et des composants sont bien faits sur l'amplificateur, les câbles +BATT, de commande à distance et de mise à la terre. Si tout est correct, achevez l'installation en branchant de nouveau la mise à la terre de la batterie sur la batterie du véhicule.

## RÉGLAGE DU SYSTÈME (RÉGLAGE DU GAIN D'ENTRÉE)

Situé sur le panneau frontal, l'objectif du réglage de GAIN d'entrée est de faire correspondre la sortie de l'unité source à l'entrée de l'amplificateur. La tension de sortie des unités sources individuelles peut varier. Certaines unités sources sont équipées d'une sortie de 200 mV et d'autres de sortie de 5 Volts ou plus. Pour répondre à ces différences, l'amplificateur est équipé d'un niveau réglable de gain allant de 100 mV à 5 volts. Ce réglage exige une certaine expérience afin d'assurer que tout le gain se trouve au début du système et NON PAS à la fin (amplificateur). Montez le volume de votre unité source et maintenez les gains de l'amplificateur au réglage le plus bas possible (dans le sens inverse des aiguilles d'une montre) avec une sortie maximale. Cela vous donnera un meilleur son et un meilleur rapport signal/bruit.

Outre une meilleure reproduction acoustique, un bon gain d'entrée aide également à prolonger la plage de fiabilité de votre amplificateur en éliminant les températures internes excessives générées par une incompatibilité entre la sortie de l'unité source et l'entrée de l'amplificateur.

Remarque : Monter le gain d'entrée ne signifie pas une plus grande puissance, mais seulement plus de bruit. Le réglage du gain d'entrée n'est pas un réglage de puissance.

Si vous utilisez un réglage de gain à distance, branchez la prise du réglage de gain à distance dans le port du panneau de l'amplificateur.

1. Baissez complètement le GAIN d'entrée (dans le sens inverse des aiguilles d'une montre).
2. Réglez le volume de l'unité source à environ les  $\frac{1}{2}$  de sa sortie maximale.
3. Réglez le bouton de balance de l'unité source sur sa position centrale (uniforme).
4. Laissez les réglages de fréquences (basses / aigus) sur leur position habituelle.
5. Écoutez un morceau musical, sur CD ou cassette, présentant une grande plage dynamique.
6. Utilisez le bouton de réglage des Bass Boost sur l'amplificateur pour améliorer la performance des basses (si besoin est), pas les basses sur le casque. N'utilisez pas trop ce réglage.
7. Pour obtenir le meilleur réglage de gain, demandez à la personne vous aidant de tourner le bouton de réglage de GAIN dans le sens des aiguilles d'une montre jusqu'à ce qu'une distorsion audio commence à se développer. Tournez légèrement le bouton de réglage de gain dans le sens inverse pour réduire la distorsion au minimum.
8. Si vous passez constamment du mode CD/cassettes à la radio, vous devrez faire un réglage plus poussé car le niveau de sortie de la radio est différent de celui d'un CD ou d'une cassette. Dans ce cas, vous devrez trouver le réglage de gain le plus équilibré possible pour le niveau de sortie de la radio et celui d'un CD ou d'une cassette.



## RÉGLAGE DU SYSTÈME (RÉGLAGE DE FILTRE PASSIF)

Remarque : Si vous utilisez le réglage de gain à distance, assurez-vous de prendre ce point en compte pendant les procédures d'installation du caisson d'extrêmes graves. Vous devriez installer le système avec le réglage de gain à distance branché et avec le bouton de niveau complètement baissé (dans le sens inverse des aiguilles d'une montre). Le réglage de gain à distance ne fonctionne que lorsque vous avez sélectionné la configuration de filtre passif (LPF). Sur les amplificateurs à 4 voies, le réglage de gain à distance n'affecte que les voies arrières.

### Section de filtre passif

L'amplificateur est équipé de filtres passe-haut / passe-bas intégrés qui peuvent être contournés en faisant glisser le commutateur en position (FR). Le micro-commutateur de filtre passif se situe juste au-dessus du réglage FREQ.

1. Lorsque vous sélectionnez passe-haut (HP), l'amplificateur est consacré aux moyens/aigus.
2. Lorsque vous sélectionnez passe-bas (LP), l'amplificateur est utilisé pour contrôler les graves / extrêmes graves. Avec ce réglage, le gain à distance peut contrôler directement le niveau de lecture de l'amplificateur.
3. Si vous sélectionnez la pleine gamme (FR), l'amplificateur est utilisé comme un amplificateur de pleine gamme.

### Sélection de fréquence de filtre passif (FREQ)

Les sections passe-haut et passe-bas offrent en permanence des fréquences réglables de filtre passif entre 40 et 350 Hz. Faites le réglage souhaité en fonction de la spécification des composants de vos haut-parleurs ou de vos préférences.

### Réglage des Bass Boost (BASS BOOST)

Sélectionnez un niveau d'amplification entre 0 dB et +18 dB à 40 Hz pour améliorer la performance de votre système. Les BASS BOOST ne sont PAS gratuites ! Pour 3 dB d'amplification, vous perdez 2 fois le taux de puissance. Assurez-vous de régler les gains définitifs après avoir réglé les Bass Boost afin d'obtenir le meilleur réglage pour votre combinaison enceinte / caisson d'extrêmes graves. En avoir plus ne veut pas toujours dire que le son est meilleur !

## RECHERCHE DES CAUSES DE PANNES

**1. Pas d'alimentation :** Vérifiez que les câbles de mise à la terre, +BATT et de branchement à distance sont bien branchés sur l'amplificateur, que le branchement sur la borne positive de la batterie est bien fait, que la mise en marche à distance est bien branchée sur l'unité source et que le fusible en ligne au niveau de la batterie et celui sur l'amplificateur sont bons. Si les fusibles sont grillés, remplacez-les et essayez de remettre l'amplificateur en marche. Si les fusibles grillent à nouveau, consultez un revendeur agréé. Pour confirmer que l'amplificateur reçoit une alimentation au câble +BATT et de branchement à distance, utilisez un multimètre numérique réglé pour une tension en courant continu, branchez la borne négative du multimètre sur la mise à la terre et la borne positive sur le +BATT, puis vérifiez le branchement à distance. Les câbles de branchement à distance et +BATT devraient recevoir entre 11 et 15 volts. Si l'amplificateur est mis à la terre et indique une tension aux câbles +BATT et de branchement à distance, mais ne se met toujours pas en marche, consultez un revendeur agréé ou appelez le numéro du service technique indiqué ci-dessous.

**2. Témoin lumineux d'alimentation allumé, mais pas de sortie :** Éteignez le système audio (l'unité source et l'amplificateur), vérifiez les connexions de signal depuis l'unité source et les connexions de signal au niveau de l'amplificateur. Retirez les fils des haut-parleurs et faites des tests avec un multimètre numérique réglé sur le réglage d'impédance pour vous assurer que les haut-parleurs ne sont pas ouverts ou court-circuités. Branchez de nouveau les fils des haut-parleurs et testez le système. S'il n'y a toujours pas de sortie, consultez un revendeur agréé ou appelez le numéro du service technique indiqué ci-dessous.

**3. L'amplificateur s'allume puis s'éteint :** Éteignez le système audio (l'unité source et l'amplificateur). Retirez les fils des haut-parleurs et faites des tests avec un multimètre numérique réglé sur le réglage d'impédance pour vous assurer que les haut-parleurs ne sont pas ouverts ou court-circuités. Appuyez légèrement sur le haut-parleur en en approchant l'oreille. Si vous entendez des bruits de friture, remplacez le haut-parleur ou consultez un revendeur agréé. Touchez l'amplificateur avec précaution pour en vérifier la température. S'il est très chaud, l'amplificateur est en mode de protection thermique et doit refroidir. Si la protection thermique continue de poser des problèmes, consultez un revendeur agréé ou appelez le numéro du service technique indiqué ci-dessous.





**4. Pas de son d'un côté :** Vérifiez les branchements de l'amplificateur, les branchements d'entrée, le réglage de la balance sur l'unité source, puis vérifiez les haut-parleurs à l'aide d'un multimètre numérique pour vous assurer qu'ils ne sont pas court-circuités.

**5. Son faible avec la radio et un CD :** Vérifiez le réglage de l'atténuateur de la radio et la sensibilité d'entrée de l'amplificateur.

**6. L'amplificateur s'arrête après de longues périodes de marche :** Si le témoin lumineux est éteint, l'amplificateur est probablement en mode de protection thermique à cause d'une mauvaise ventilation. Si l'amplificateur est bien ventilé, vérifiez l'impédance des haut-parleurs pour vous assurer qu'elle se situe au-dessus de la charge suggérée. Lorsqu'il est marche, vérifiez que vous avez plus de 11 volts au niveau de la partie +BATT de l'amplificateur et que vous avez utilisé un fil de calibre 4 et la classe de fusible appropriée dans le porte-fusible près de la batterie du véhicule.

**7. L'amplificateur s'éteint et la diode électroluminescente clignote :** Cela indique une tension basse ou élevée au niveau du câble +BATT ou de commande à distance de l'amplificateur. Testez les câbles +BATT et de commande à distance de l'amplificateur à l'aide d'un multimètre numérique. Si la tension à l'une de ces bornes est supérieure à 15 volts ou inférieure à 11 volts, consultez un spécialiste en système électrique automobile. Si la tension est inférieure à 11 volts en permanence, ajouter un condensateur raidisseur de 1 Farad résoudra le problème.

**8. Bourdonnement qui augmente avec l'accélération :** C'est ce que l'on appelle une boucle de mise à la terre. Pour vérifier si ce bruit est généré par une mauvaise mise à la terre ou les câbles RCA, retirez les câbles RCA de l'amplificateur (assurez-vous qu'ils sont blindés et ne touchent pas le châssis) et rallumez le système. Si le bruit persiste, le problème est lié à la mise à la terre. En revanche, si le bruit disparaît, cela signifie qu'il est transmis à l'amplificateur par les câbles RCA. S'il est transmis par les câbles RCA, faites simplement passer les câbles le plus loin possible des câbles d'alimentation – plus spécifiquement le câble +BATT qui est branché sur la batterie. Si le bourdonnement est lié à la mise à la terre, assurez-vous que tous les câbles de mise à la terre sont bien accrochés au véhicule et ne sont pas corrodés. Reportez-vous à la section sur l'alimentation et la mise à la terre dans ce manuel pour obtenir les directives de mise à la terre du système.

## FEAUTURES

- Patentiertes Netzteil und Endstufe auf dem neuesten Stand der Technik
- Massiver Kühlkörper aus stranggepresstem Aluminium garantiert maximale Temperaturkontrolle und absolute Zuverlässigkeit.
- Hoch-/Tiefpass-Crossover-Einheit ist von 40-350 Hz, 12 dB/Okt. einstellbar und bietet maximale Flexibilität beim Systemdesign.
- Stereo-Verstärkungskontrolle ermöglicht präzise Anpassung Ihres Verstärkers an das Radio.
- Voll einstellbare Bassanhebung – 40 Hz, 0-18 dB verbessert den Tieffrequenzsound in Ihrem Fahrzeug.
- Die mitgelieferte Fernbedienung für die Subwoofer-Lautstärke ermöglicht es Ihnen, den Bass vom Fahrersitz aus genau einzustellen, wenn Sie auf einen anderen Musikstil umschalten.
- Hochpegeleingang mit patentierter Smart Engage Auto Turn-on-Technologie zum einfachen Anschluss an werksseitig montierte Radios.
- Erfüllt CEA 2006. Nicht alle Leistungswerte sind gleich. Die Erfüllung der Norm CEA 2006 garantiert, dass die Leistung dieses Verstärkers gemäß den strengen Maßstäben der Consumer Electronics Association gemessen wird.

## INSTALLATION



Trennen Sie den Masseanschluss an der Fahrzeugbatterie, bevor Sie fortfahren.

### 1. Schließen Sie den Verstärker an die Batterie an.

Für eine maximale Verstärkerleistung empfehlen wir 4-Gauge-Kabel und einen 1-Farad-Verstärkungskondensator. Zum Schutz der Batterie, des Fahrzeugs und (was noch wichtiger ist) Ihrer Gesundheit ist in einem Abstand von maximal 45 cm von der Batterie eine Sicherung oder ein Trennschalter erforderlich (den entsprechenden Bemessungsstrom finden Sie in untenstehender Tabelle). Es ist unbedingt empfehlenswert, die Installation von einem autorisierten Fachhändler ausführen zu lassen.

## **2. Schließen Sie den Verstärker an die Fernbedienung an.**

Verbinden Sie den Fernbedienungseingang am Verstärker mit dem Fernbedienungsausgang am Autoradio (nur bei Verwendung von RCA-Steckern), um den Verstärker durch den Ein-/Aus-Schalter des Autoradios ein- und ausschalten zu können. Wenn das Autoradio nicht über einen Fernbedienungsausgang verfügt, schließen Sie ihn an eine geschaltete 12-Volt-Quelle (wie den Zündschalter) an.

## **3. Verbinden Sie das Verstärker-Massekabel mit dem Fahrzeughassis.**

Für eine maximale Verstärkerleistung empfehlen wir 4-Gauge-Kabel. Suchen Sie ein festes Metallteil und kratzen Sie an der Stelle, wo das Massekabel angeschlossen wird, den Lack ab (keine vom Werk installierten Schrauben). Verbinden Sie an dieser Stelle das Massekabel mit dem Verstärker.

### **- HINWEIS -**

Um optimale Leistung und Klangwiedergabe zu erreichen, müssen Sie die Erdung korrekt vorbereiten und befestigen. Entfernen Sie alle Oberflächenbeschichtungen, bevor Sie das Massekabel anbringen, um so einen metallischen Massekontakt zu garantieren.

## **4. Fernbedienungs-Verstärkungsregler**

Es liegt ein Fernbedienungs-Verstärkungsregler bei, der bei aktiviertem Tiefpassfilter als Lautstärkeregler dient. Dieser Regler sollte in der Nähe des Fahrers an einer leicht zugänglichen Stelle angebracht werden. Dies ist kein Verstärkungs-, sondern ein Niveauregler. Der Niveauregler schwächt den Verstärker ab oder verstärkt dessen Output bis zum Niveau der Verstärkungseinstellung. Er dient dazu, das Bass-Signal verschiedener Musikquellen oder Spuren anzupassen (Anschlussort ist untenstehender Illustration zu entnehmen).

## **5. Schließen Sie das Signalkabel an den Verstärker an**

Sie können das Signal auf zwei Weisen an die Verstärker senden. Zur maximalen Leistung empfehlen wir, ein hochwertiges RCA-Kabel an die entsprechenden Ausgänge am Autoradio bzw. die Eingänge des Verstärkers anzuschließen. Wenn ein Autoradio ohne RCA-Ausgänge verwendet wird, sollten Sie die HP-Eingänge für das Signal verwenden, wobei der Verstärker mittels unserer Smart Engage Schaltung aktiviert wird (Vierkanal-Verstärker werden nur an den vorderen HP-Eingängen aktiviert).

## **6. Schließen Sie das Batterie-Massekabel wieder an die Fahrzeugbatterie an**

Überprüfen Sie alle bisherigen Installationsschritte nochmals. Vergewissern Sie sich, dass die Verkabelungs- und Komponentenanschlüsse fest an den Verstärkeranschlüssen +BATT und Fernbedienung bzw. dem Masseanschluss befestigt sind. Wenn alles in Ordnung ist, schließen Sie die Installation ab, indem Sie das Batterie-Massekabel wieder an die Fahrzeugbatterie anschließen.

## SYSTEMEINSTELLUNG (ANPASSUNG DES EINGANGSVERTSÄRKUNGSREGLERS)

Die Funktion des Eingangsreglers (GAIN) an der Eingangskonsole besteht darin, das Ausgangssignal des Autoradios an den Eingang des Verstärkers anzupassen. Die Ausgangsspannung der jeweiligen Autoradios kann unterschiedlich sein. Manche Autoradios haben eine Ausgangsspannung von 200 mV, andere hingegen 5 Volt oder mehr. Wegen dieser Variationen besitzt der Verstärker einen verstellbaren Verstärkungsregler, der den Bereich zwischen 100 mV und 5 Volt abdeckt. Beim Einstellen dieses Reglers müssen Sie etwas experimentieren, um die Verstärkung am Beginn des Systems und NICHT an dessen Ende (Verstärker) einsetzen zu lassen. Stellen Sie Ihr Autoradio höher ein und belassen Sie den Verstärkungswert des Verstärkers auf der niedrigstmöglichen Einstellung (gegen den Uhrzeigersinn) bei maximalem Output. So erhalten Sie den besten Klang und Rauschabstand.

Neben einer besseren Klangwiedergabe hilft eine korrekte Verstärkungseinstellung auch, die Zuverlässigkeit Ihres Verstärkers zu steigern, da exzessive Innentemperaturen vermieden werden, die durch inkompatible Radioausgänge bzw. Verstärkereingänge erzeugt werden.

Hinweis: Ein Hochdrehen der Eingangsverstärkung bringt nicht mehr Leistung. Nur mehr Störgeräusche. Der Eingangsverstärkungsregler ist kein Leistungsregler.

Wenn der Fernbedienungsregler verwendet wird, verbinden Sie dessen Stecker mit dem Ausgang an der Verstärkerwand.

1. Drehen Sie den Eingangsregler (GAIN) ganz gegen den Uhrzeigersinn nach unten.
2. Stellen Sie den Lautstärkeregler des Autoradios auf ca.  $\frac{1}{2}$  des Maximalwerts ein.
3. Drehen Sie den Balanceregler des Autoradios auf die Mittelposition (flach).
4. Lassen Sie die Tonregler (Bass/Höhen) in der Normalposition.
5. Spielen Sie eine CD oder Kassette mit großem Dynamikbereich ab.
6. Verstärken Sie mit Hilfe des Bass-Boost-Reglers ggf. die Bassleistung, nicht den Bass am Autoradio. Verwenden Sie bei der Einstellung dieses Reglers viel Fingerspitzengefühl.
7. Um die optimale Verstärkungseinstellung zu finden, bitten Sie eine andere Person, den Eingangsregler GAIN im Uhrzeigersinn zu drehen, bis eine Klangverzerrung hörbar wird. Drehen Sie den Verstärkungsregler etwas zurück, um die Verzerrung zu reduzieren.
8. Wenn Sie dauernd zwischen CD/Kassette und Radio umschalten, müssen Sie weitere Anpassungen durchführen, da das Radio-Ausgangsniveau von dem für CD oder Kassette abweicht. In diesem Fall müssen Sie eine ausgeglichene Verstärkungseinstellung finden, die sowohl für das Radio-Ausgangsniveau als auch für das von CD oder Kassette geeignet ist.



## SYSTEMEINSTELLUNG (CROSSOVER-ANPASSUNG)

Hinweis: Wenn Sie den Fernbedienungs-Verstärkungsregler verwenden, müssen Sie dies beim Einstellungsverfahren für den Subwoofer-Verstärker mit einberechnen. Sie sollten das System bei eingestecktem Fernbedienungs-Verstärkungsregler einstellen, wobei der Niveauregler ganz nach unten (gegen den Uhrzeigersinn) gedreht ist. Der Fernbedienungs-Verstärkungsregler funktioniert nur, wenn Sie die Tiefpass-Crossoverkonfiguration (LPF) gewählt haben. Bei Vierkanal-Verstärkern beeinflusst der Fernbedienungs-Verstärkungsregler nur die hinteren Kanäle.

### Crossover-Bereich

Der Verstärker besitzt eingebaute Hoch-/Tiefpassfilter, die man dadurch umgehen kann, indem man den Schalter in die Position FR schiebt. Der Crossover-Mikroschalter befindet sich direkt über dem Regler FREQ.

1. Wenn der Hochpass (HP) gewählt wird, steuert der Verstärker die Mittel- und Hochtöner an.
2. Wenn der Tiefpass (LP) gewählt wird, steuert der Verstärker die Tieftöner und Subwoofer an. Durch diese Einstellung kann der Fernbedienungs-Verstärkungsregler das Wiedergabenniveau des Verstärkers direkt kontrollieren.
3. Wenn der volle Bereich (FR) gewählt wird, dient der Verstärker als Fullrange-Verstärker.

### Auswahl der Crossover-Frequenz (FREQ)

Sowohl der Hochpass- als auch der Tiefpassbereich bieten kontinuierlich anpassbare Crossover-Frequenzen zwischen 40 und 350 Hz. Stellen Sie den Wert je nach den Leistungswerten Ihrer Lautsprecherkomponenten oder Ihrem eigenen Geschmack ein.

### Bass-Boost-Regler (BASS BOOST)

Wählen Sie ein Boost-Niveau zwischen 0 dB und +18 dB bei 40 Hz, um die Bassleistung Ihres Sound-Systems zu steigern. Der Bass-Boost kostet Sie allerdings etwas! Jeweils 3 dB Anhebung erfordern doppelte Leistung. Sie sollten die endgültige Verstärkung nach Einstellung des Bass-Boost festlegen, damit diese ideal mit Ihrer Subwoofer-Gehäuse-Kombination zusammenarbeitet. Mehr ist dabei nicht immer besser.

# PROBLEMLÖSUNGEN

**1. Kein Strom:** Prüfen Sie, ob das Massesekabel, +BATT und die Fernbedienung fest am Verstärker angeschlossen sind, dass die Verbindung am Pluspol der Batterie sicher ist, dass der Fernbedienungsregler fest im Autoradio eingesteckt ist und dass sowohl die Sicherung an der Batterie als auch die am Verstärker in Ordnung sind. Wenn die Sicherungen durchgebrannt sind, müssen Sie diese ersetzen und dann versuchen, den Verstärker wieder einzuschalten. Wenn Sicherungen wiederholt durchbrennen, sollten Sie einen Fachhändler kontaktieren. Um zu bestätigen, dass der Verstärker bei +BATT und der Fernbedienung Strom aufnimmt, sollten Sie einen auf Gleichspannung eingestellten digitalen Multimeter verwenden, den negativen Pol bei der Erdung und den positiven bei +BATT anbringen und dann die Fernbedienung prüfen. Die Fernbedienung und +BATT sollten 11-15 Volt anzeigen. Wenn der Verstärker geerdet ist, aber +BATT und die Fernbedienung keine Spannung anzeigen, wenden Sie sich zur weiteren Unterstützung bitte an einen autorisierten Fachhändler oder rufen Sie untenstehende Kundendienstnummer an.

**2. Stromanzeige an, kein Ton:** Schalten Sie das Audiosystem (Autoradio und Verstärker) aus und überprüfen Sie die Ausgangssignalverbindungen vom Autoradio bzw. die Eingangssignalverbindungen am Verstärker. Entfernen Sie die Lautsprecherkabel und testen Sie mit einem auf den Impedanzwert eingestellten digitalen Multimeter, ob bei den Lautsprechern Unterbrechungen oder Kurzschlüsse vorhanden sind. Schließen Sie die Lautsprecherkabel wieder an und testen Sie das System. Wenn immer noch kein Ton zu hören ist, wenden Sie sich bitte zur weiteren Unterstützung an einen autorisierten Fachhändler oder rufen Sie untenstehende Kundendienstnummer an.

**3. Verstärker schaltet sich ein und dann aus:** Schalten Sie das Audiosystem (Autoradio und Verstärker) aus. Entfernen Sie die Lautsprecherkabel und testen Sie mit einem auf den Impedanzwert eingestellten digitalen Multimeter, ob bei den Lautsprechern Unterbrechungen oder Kurzschlüsse vorhanden sind. Wackeln Sie vorsichtig am Lautsprecher, und halten Sie Ihr Ohr nahe daran. Wenn Sie Kratzgeräusche hören, sollten Sie den Lautsprecher auswechseln oder sich an Ihren örtlichen Fachhändler wenden. Berühren Sie vorsichtig den Verstärker, um die Temperatur festzustellen. Wenn er extrem heiß ist, so ist der Überhitzungsschutz des Verstärkers aktiviert, und er muss abkühlen. Wenn es wiederholt Probleme mit dem Überhitzungsschutz gibt, wenden Sie sich bitte an einen autorisierten Fachhändler oder rufen Sie untenstehende Kundendienstnummer an.



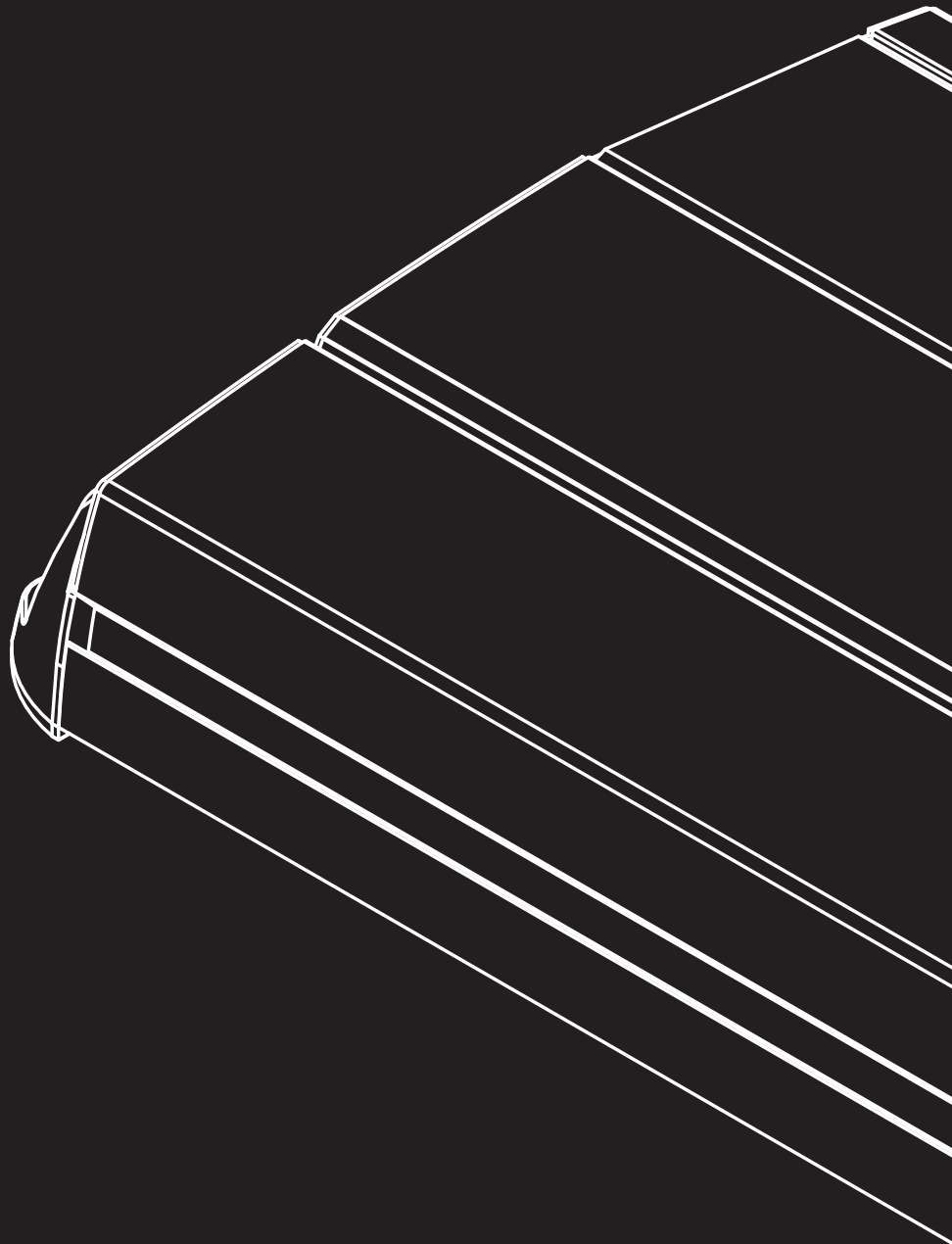
**4. Kein Sound auf einer Seite:** Prüfen Sie die Lautsprecheranschlüsse, Eingangsanschlüsse, den Balanceregler am Autoradio, und prüfen Sie dann mit einem digitalen Multimeter, ob beim Lautsprecher ein Kurzschluss vorliegt.

**5. Niedrige Lautstärke bei Radio und CD:** Prüfen Sie den Fader-Regler des Radios und die Eingangsempfindlichkeit des Verstärkers.

**6. Verstärker schaltet sich nach längerem Betrieb aus:** Wenn das Licht nicht aufleuchtet, ist beim Verstärker wahrscheinlich aufgrund unzureichender Lüftung der Überhitzungsschutz aktiviert. Ist der Verstärker gut belüftet, so sollten Sie die Lautsprecherimpedanz prüfen, um sicherzustellen, dass diese oberhalb der empfohlenen Belastbarkeit liegt. Prüfen Sie bei eingeschaltetem Verstärker, dass am +BATT-Anschluss des Verstärkers mehr als 11 Volt abgelesen werden, dass Sie ein 4-Gauge-Netzkabel verwenden und dass am Sicherungshalter neben der Fahrzeugbatterie der korrekte Bemessungsstrom vorliegt.

**7. Verstärker schaltet sich aus und die LED blinkt ein und aus:** Dies verweist auf niedrige oder hohe Spannung im Verstärkerbereich +BATT oder der Fernbedienung. Testen Sie den Verstärkerbereich +BATT oder die Fernbedienung mit einem digitalen Multimeter. Wenn die Spannung an einem dieser Anschlüsse 15 Volt überschreitet oder 11 Volt unterschreitet, wenden Sie sich bitte an einen Kfz-Elektriker. Wenn die Spannung dauernd unter 11 Volt liegt, lässt sich dies durch den Einbau eines 1-Farad-Verstärkungskondensators lösen.

**8. Heulgeräusche, die bei Beschleunigung zunehmen:** Dies wird als Massekreis bezeichnet. Um sicherzugehen, dass das Geräusch durch eine schlechte Erdung oder die RCA-Kabel erzeugt wird, entfernen Sie die RCA-Kabel vom Verstärker (passen Sie dabei auf, dass sie das Chassis nicht berühren können) und schalten dann das System wieder ein. Wenn das Geräusch immer noch zu hören ist, hat es mit der Erdung zu tun. Wenn das Geräusch aufhört, kommt es über die RCA-Kabel in den Verstärker. Wenn das Geräusch über die RCA-Kabel verbreitet wird, müssen Sie die Kabel einfach von den Netzkabeln entfernt verlegen, vor allem das +BATT-Kabel, das mit der Batterie verbunden wird. Wenn das Heulgeräusch mit der Erdung zu tun hat, prüfen Sie, ob alle Massekabel im Fahrzeug gut befestigt und korrosionsfrei sind. Anweisungen zur korrekten Erdung finden Sie in den Abschnitten über Strom und Erdschleife in diesem Handbuch.



MTX Audio  
4545 East Baseline Road  
Phoenix, Arizona 85042 U.S.A.  
mtx.com

**mtx.com**

©2003 MTX. All rights reserved. MTX is a registered trademark of Mitek.

Due to continual product development, all specifications are subject to change without notice.

MTX001682 Rev A 12/03

NDM357