

GLADEN®

GERMAN TECHNOLOGY

SQL 12



Speaker Specifications

Power	Pe	1100/1650	RMS/Nom
DC resistance	Rdc	2,9	Ω
Nominal impedance	ZN	4	Ω
Resonance frequency	fs	35,8	HZ
Voice coil diameter		4	inch
Xmax	+ -	15	mm

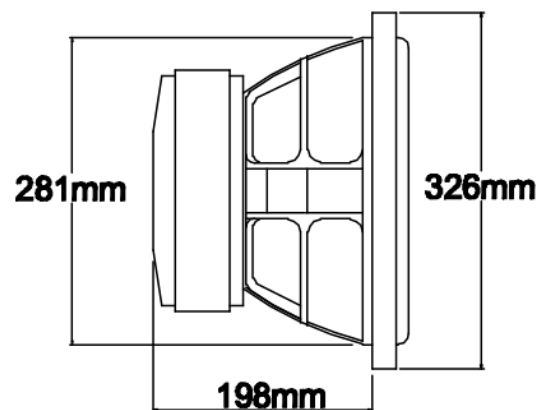
Mechanical Q factor	Qms	5,09
Electrical Q factor	Qes	0,37
Total Q factor	Qts	0,34

Moving mass	Mms	219,8	g
Effective piston area	Sd	490	cm ²
Mechanical resistance	Rms	9,7	Kg/s
Compliance	Cms	0,09	mm/N
Force factor	BL	19,4	Tm
Equivalent air volume	Vas	31,8	dm ³

SPL 2,83V/1m		91	dB
--------------	--	-----------	----

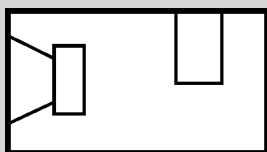
Diameter

External diameter	326 mm / 12,83 inch
Installation diameter	281 mm / 11,06 inch
Installation depth	198 mm / 7,80 inch
Magnet diameter	230 mm / 9,06 inch



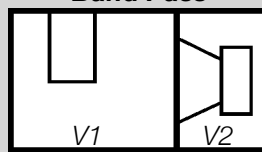
Recommended Boxes (including Ports / Drivers)

Vented Box



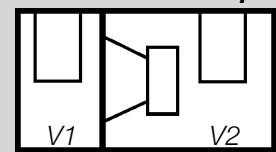
V: 65 l	or V: 65 l
Ft: 44 Hz	Ft: 43 Hz
d: 2 x 100 mm (2 x 3,94 inch)	d: 1 x 100 mm (1 x 3,94 inch)
l: 300 mm (11,81 inch)	l: 150 mm (5,91 inch)

Band Pass



V1: 40 l	V2: 25 l
Fm: 60 Hz	
d: 2 x 100 mm (3,94 inch)	
l: 230 mm (9,06 inch)	

Double Vented Bandpass



V1: 23 l	V2: 53 l
F1: 77 Hz	F2: 40 Hz
d: 2 x 100 mm (2 x 3,94 inch)	d: 1 x 100 mm (1 x 3,94 inch)
l: 260 mm (10,24 inch)	l: 230 mm (9,06 inch)