

# Performance Sub P 25 DB



## Dual voice-coil 10" (25cm) subwoofer

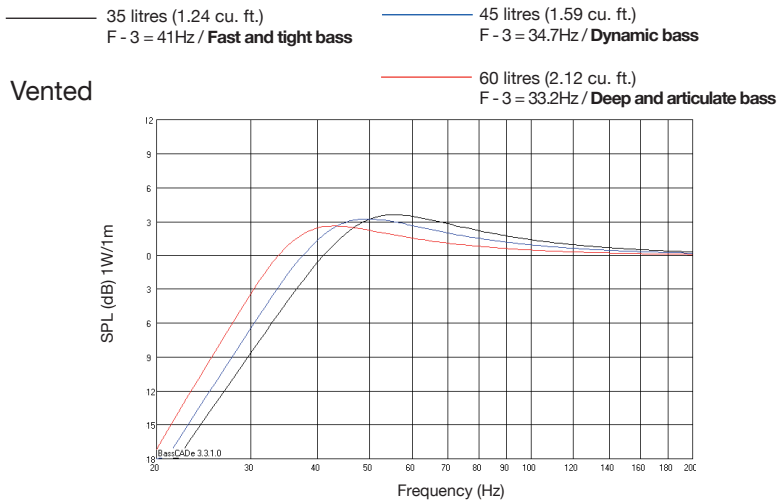


- 2x4 Ohms dual voice-coil
- [5<sup>11/16"</sup>] 145mm dual ferrite
- For sealed or vented box

### SPECIFICATIONS

Nominal power	250W	
Maximum power	500W	
Sensitivity	90.9dB	
Cone	Polypropylene	
Surround	Butyl	
Nom. impedance	4 Ohms	
DC resistance	2x2.4 Ohms	
VC diameter	50mm	2"
VC height	25mm	1"
Former	Kapton	
Layers	4	
Wire	Copper	
Inductance	0.27mH	
Xmax	7.5mm	0 <sup>5/16"</sup>
Magnet d x h	145x32mm	5 <sup>11/16"</sup> x1 <sup>1/4"</sup>
Magnet weight	1600g	3.53lb
Flux density	-	
Gap height	8mm	0 <sup>5/16"</sup>
Net weight	4900g	10.8lb

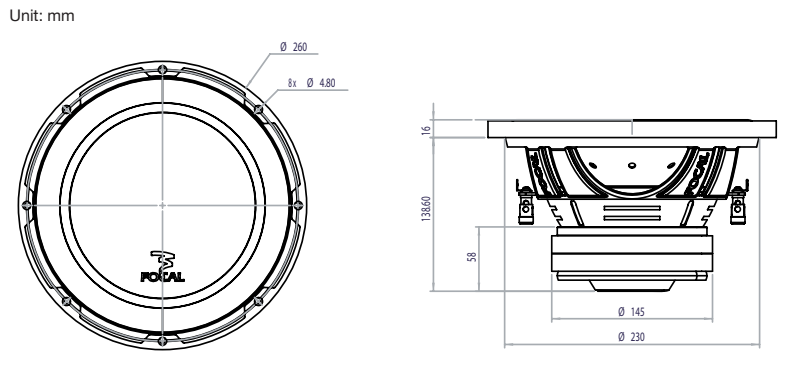
### SUGGESTED APPLICATION



### PARAMETERS

Fs	27.46Hz	
Vas	40.72 l	
Qts	0.431	
Qes	0.47	
Qms	5.21	
Re	1.7 Ohm	
Sd	346.36cm <sup>2</sup>	
Cas	2.90E-7m <sup>5</sup> /N	
Mas	115.87kg/m <sup>4</sup>	
Ras	3837.08 Ohms.ac	
Cms	2.42E-4m/N	
Mms	139g	
Rms	4.603kg/s	
Ces	1556.61mF	
Les	21.58mH	
Res	19.4 Ohms	
BI	9.45 N/A	
SPL	84.38 dB/W/m	

### MECHANICAL DRAWING



### SUGGESTED APPLICATION

Load	Volume	Port diameter	Port length
Vented	35	8 (3 <sup>1/8"</sup> )	20 (7 <sup>7/8"</sup> )
Vented	45	8 (3 <sup>1/8"</sup> )	22 (8 <sup>2/3"</sup> )
Vented	60	8 (3 <sup>1/8"</sup> )	17 (6 <sup>11/16"</sup> )

Load	Volume	F-3 (Hz)	Ql
Sealed	15	46.2	0.83
Sealed	25	45.1	0.7
Sealed	35	45.6	0.6